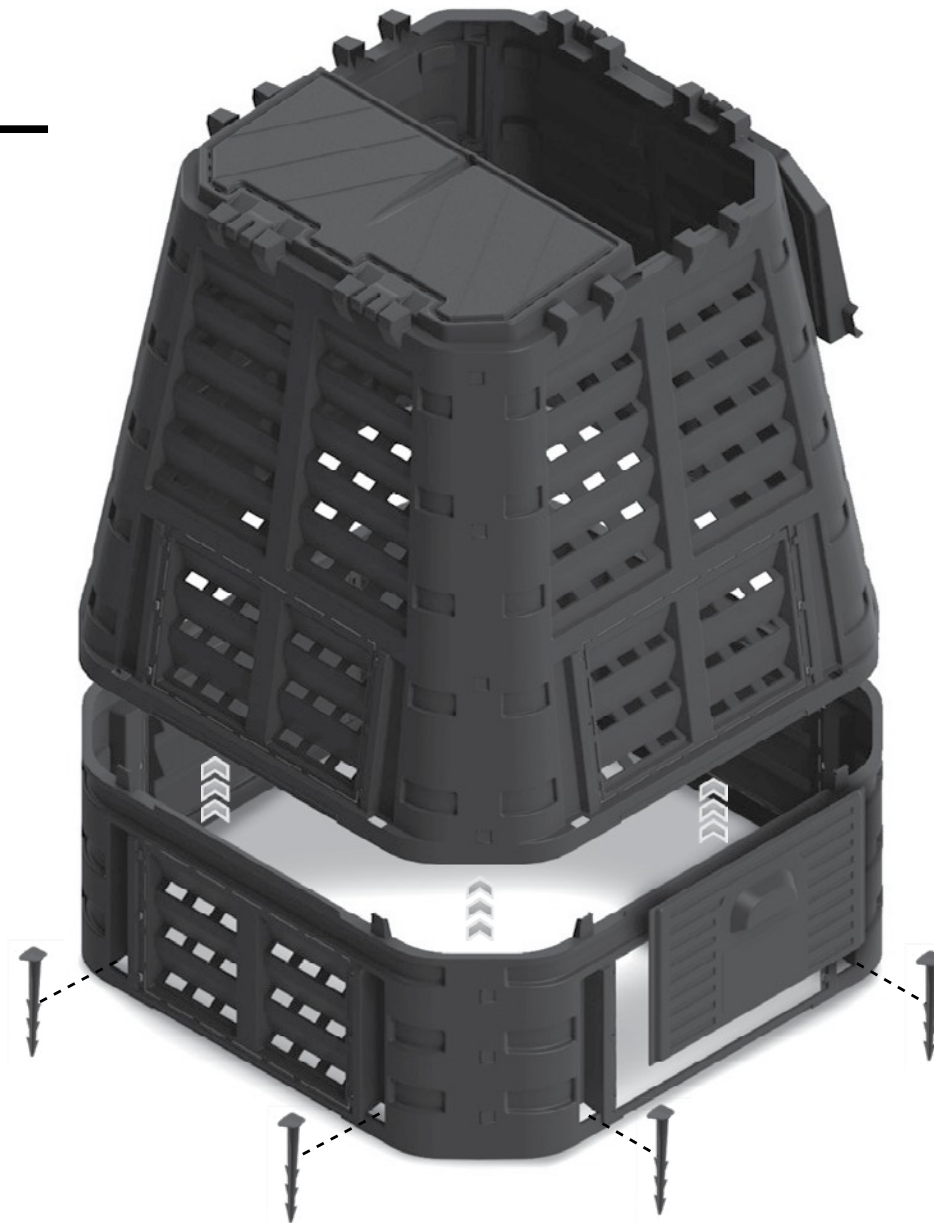
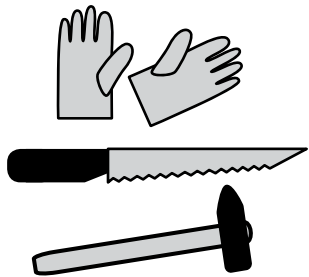


# Multi Composter 420l

## MANUAL

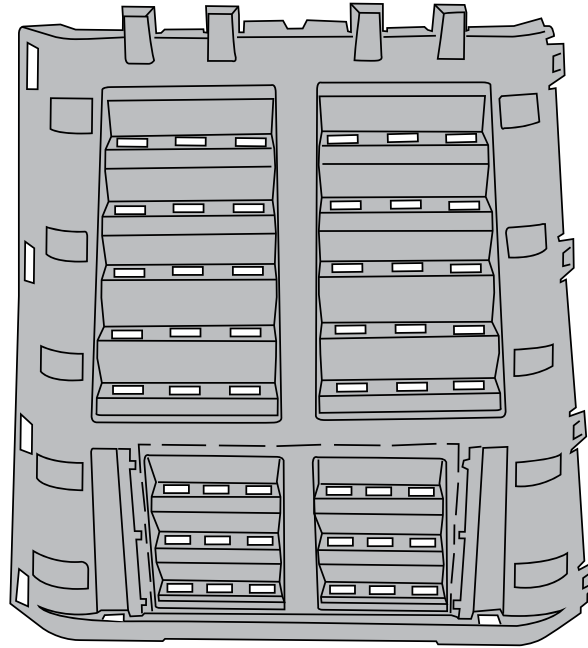


you would need  
(not included)



# SET INCLUDES:

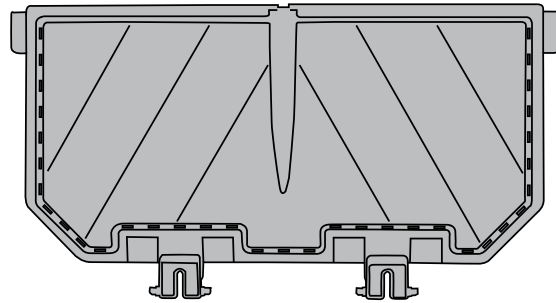
**Multi Composter 420l**



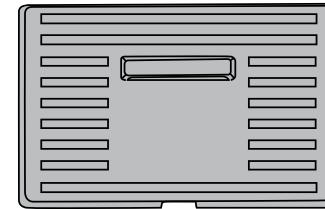
**A** x4



**C** x8

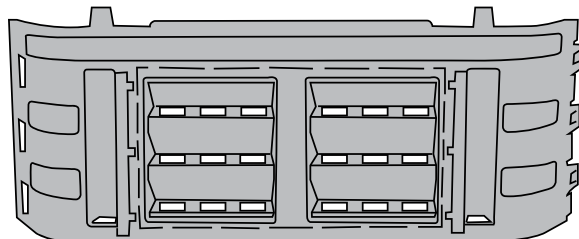


**B** x2



**D** x1

**Enlarging Module 230l**

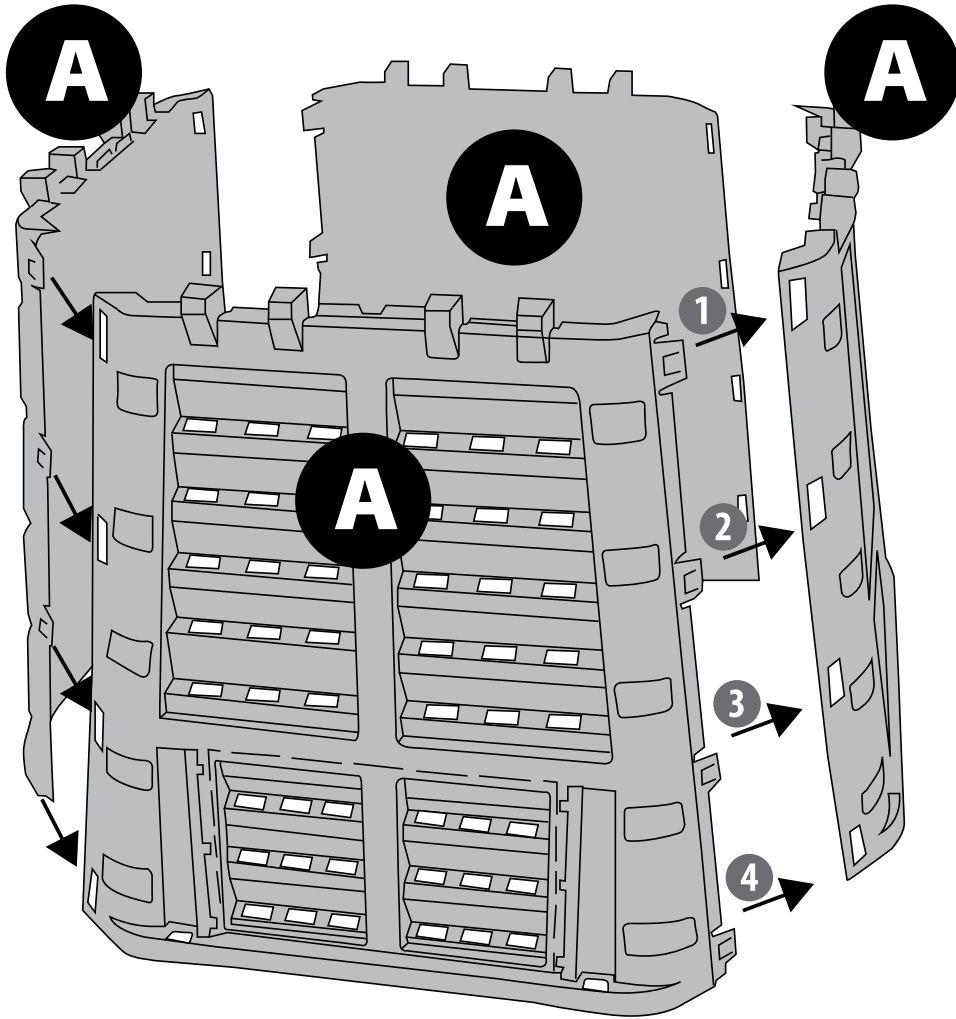


**E** x4

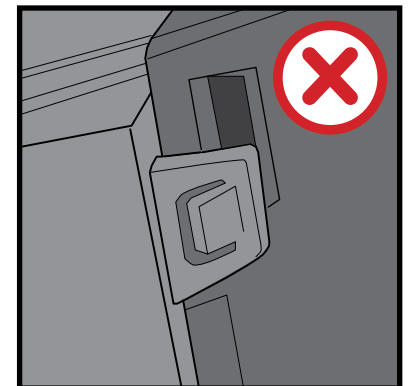
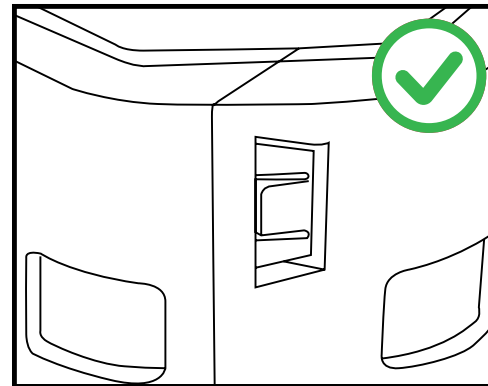
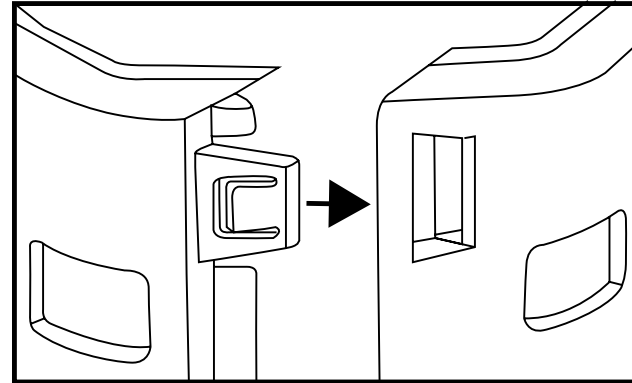
step  
**1**

# ASSEMBLY:

Combining the side modules



## CLICK SYSTEM



step

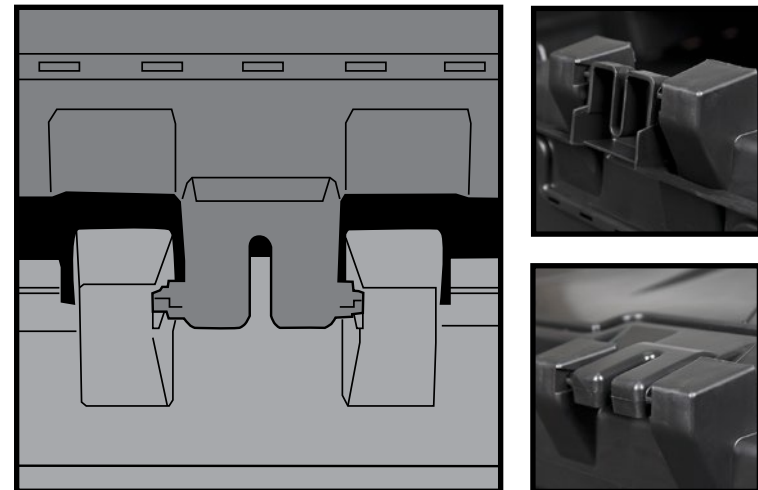
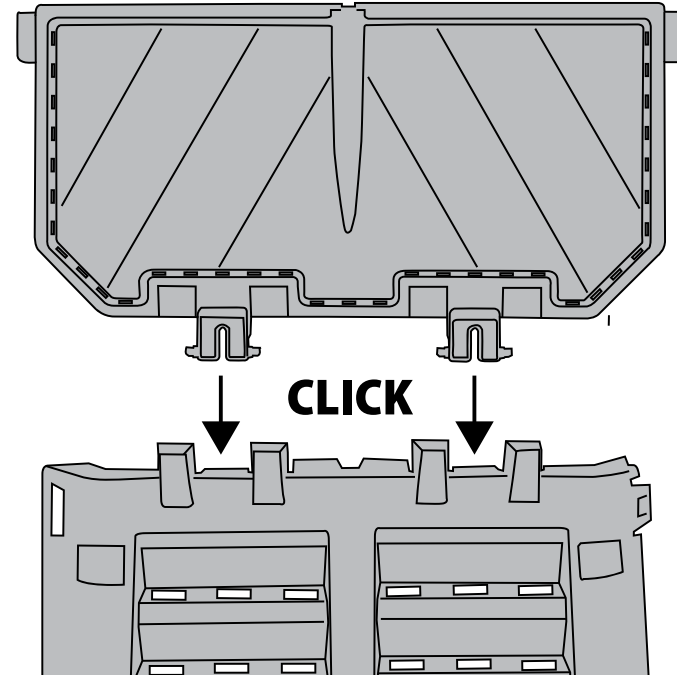
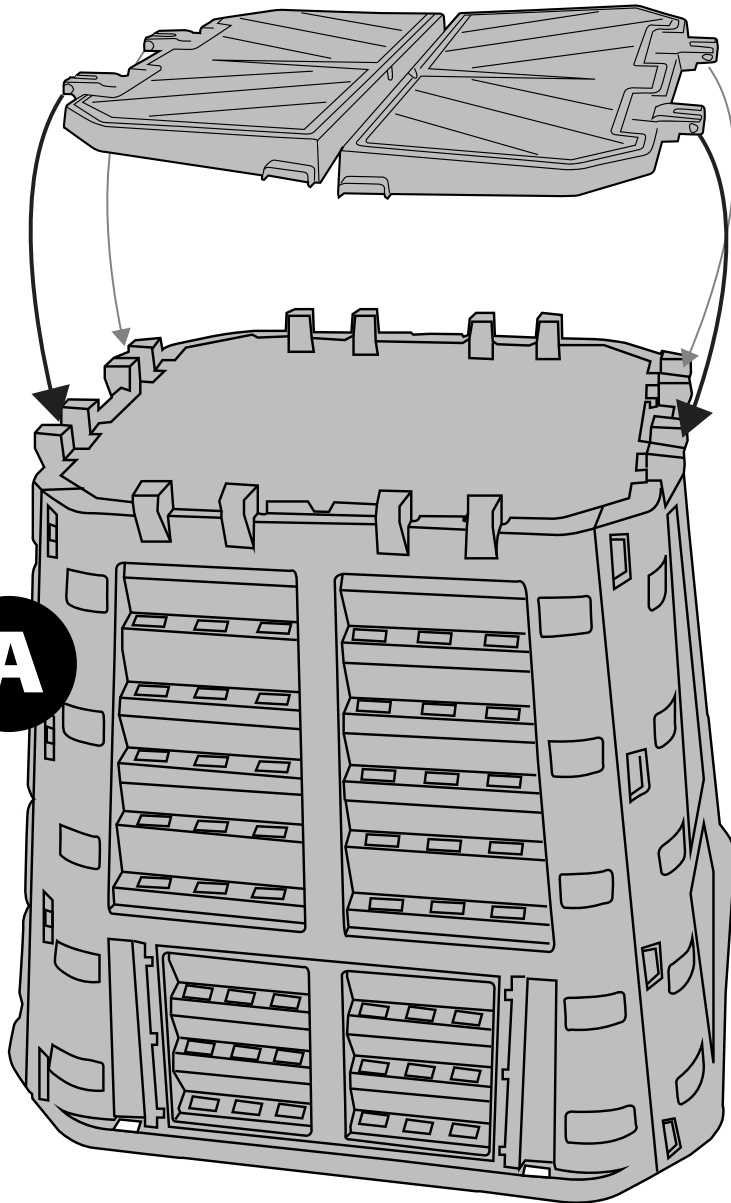
2

# ASSEMBLY:

Mounting the hatch wings

2x **B**

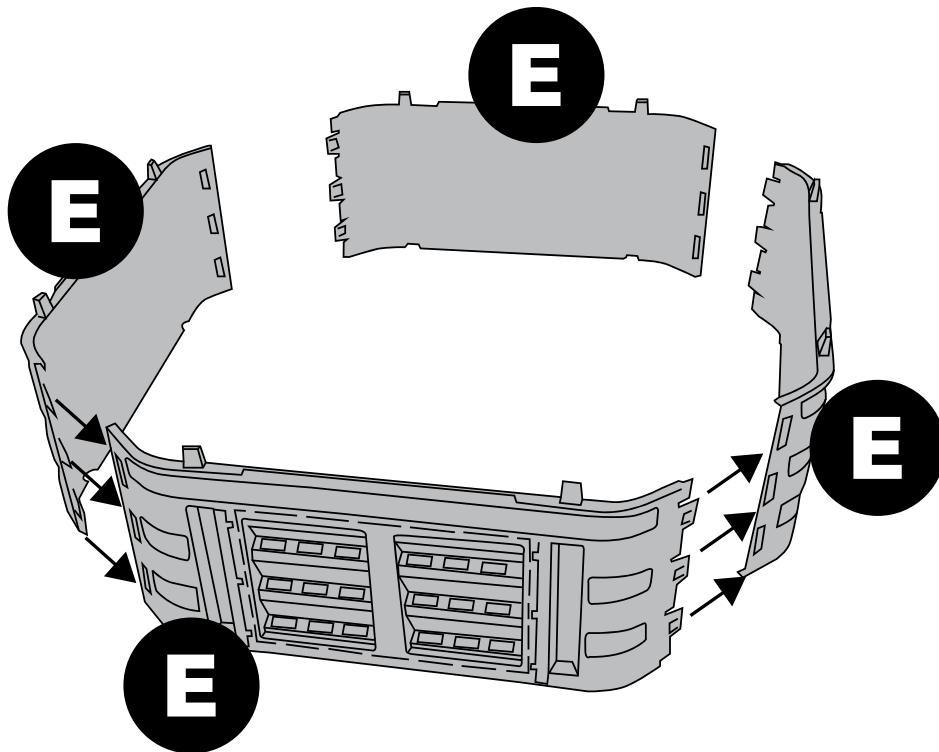
4x **A**



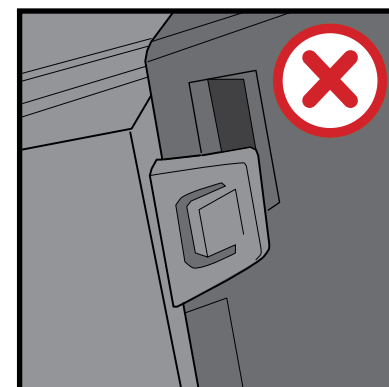
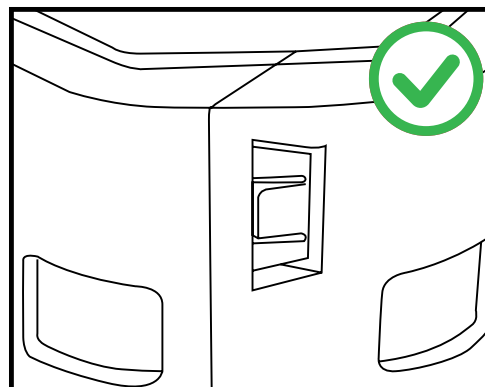
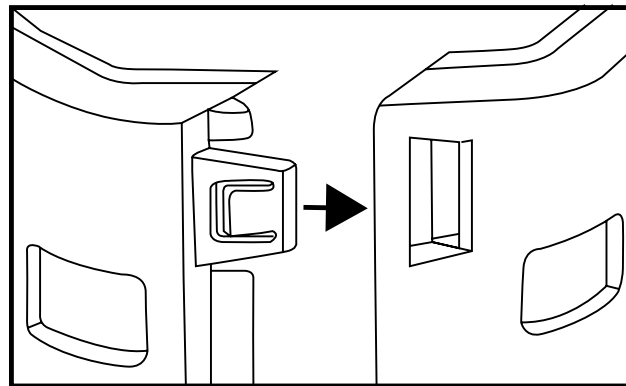
step  
**3**

# ASSEMBLY:

Combining the enlarging module



## CLICK SYSTEM



step

4

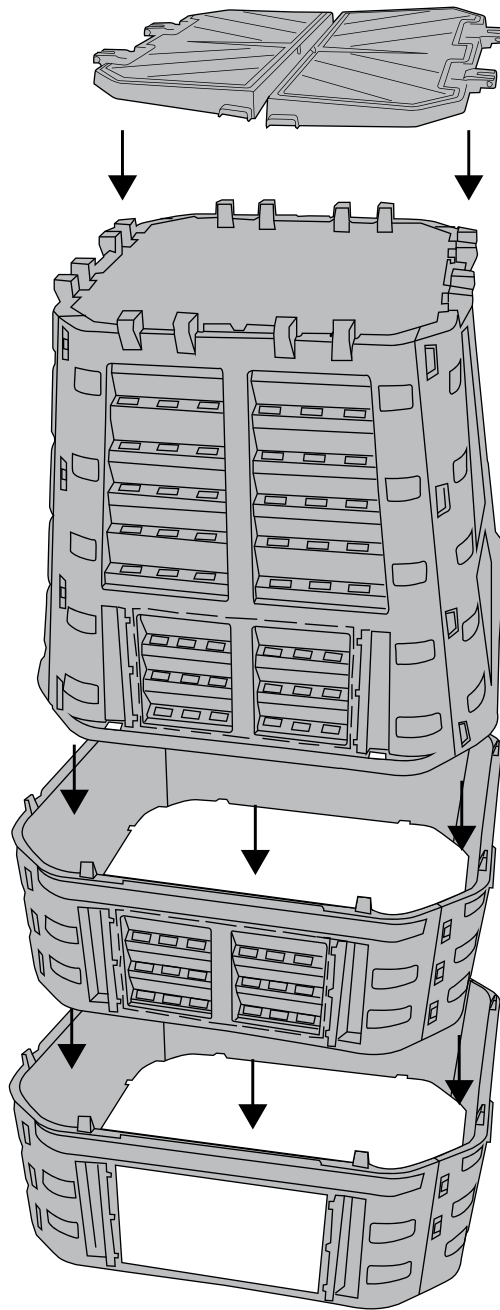
# ASSEMBLY:

Final combining of all elements

1

2

3



MULTI COMPOSTER **420L**

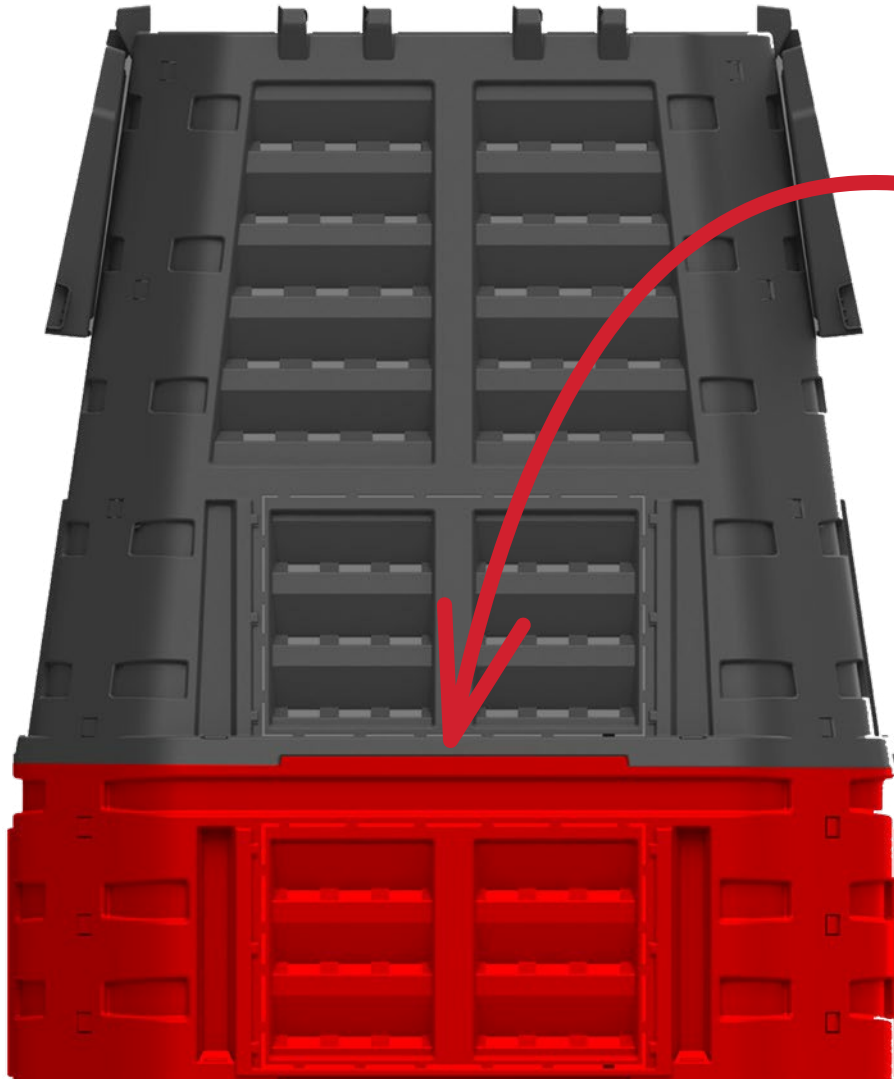
MULTI COMPOSTER **620L**

MULTI COMPOSTER **880L**

step  
**5**

# ASSEMBLY:

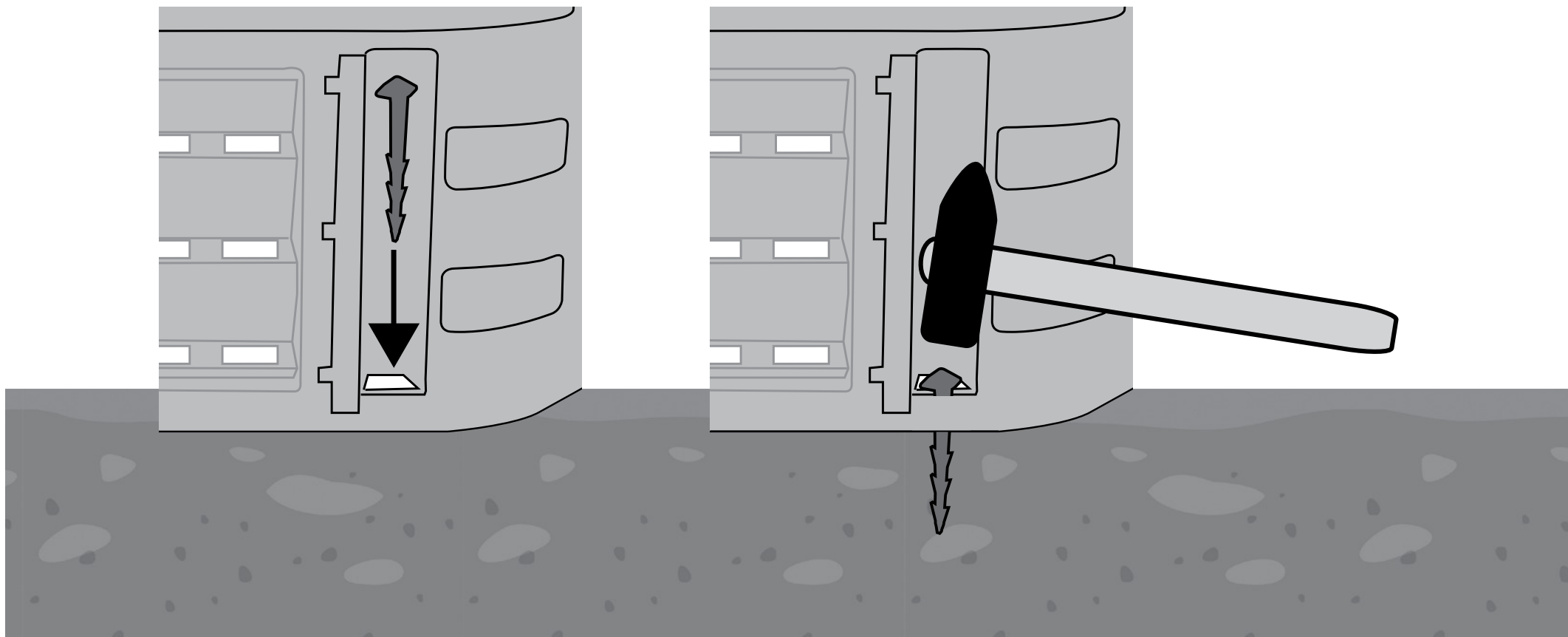
Warning



step  
**6**

# ANCHOR

you would need  
(not included)



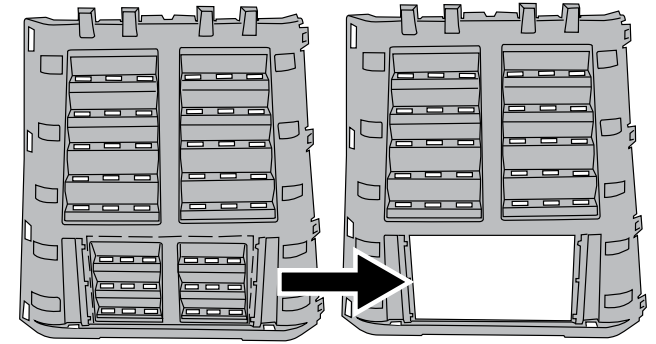


step  
**7**

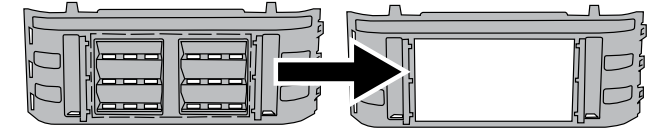
# SIDE GATE CUTTING



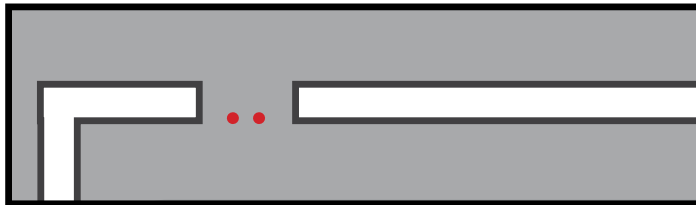
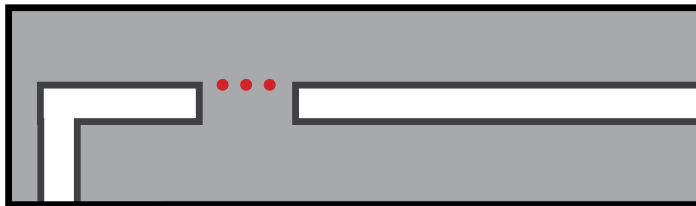
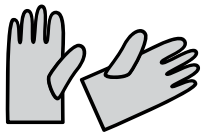
**Wear your protection gloves**



**OR**

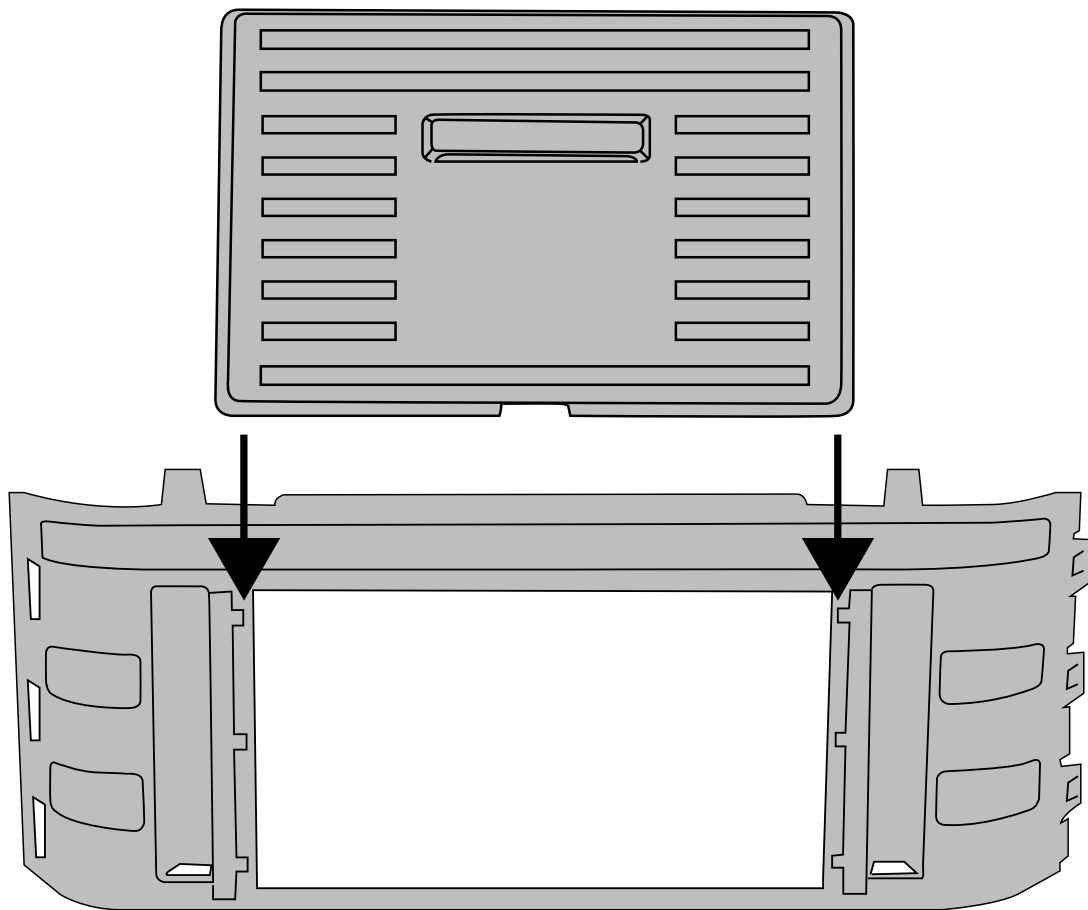


you would need  
(not included)



step  
**8**

## POSITIONING THE SLIDE GATE

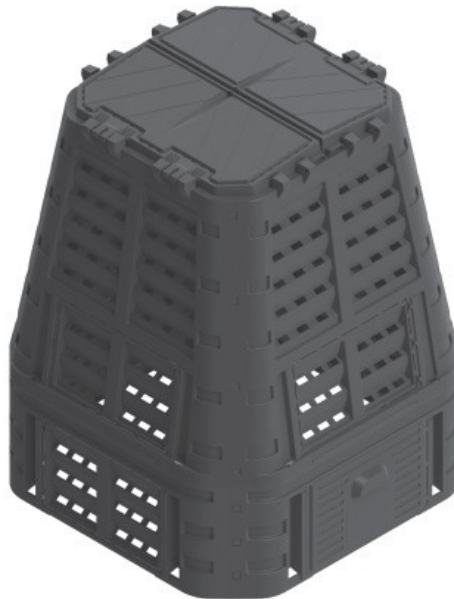




MULTI COMPOSTER **420L**



MULTI COMPOSTER **620L**



MULTI COMPOSTER **880L**

