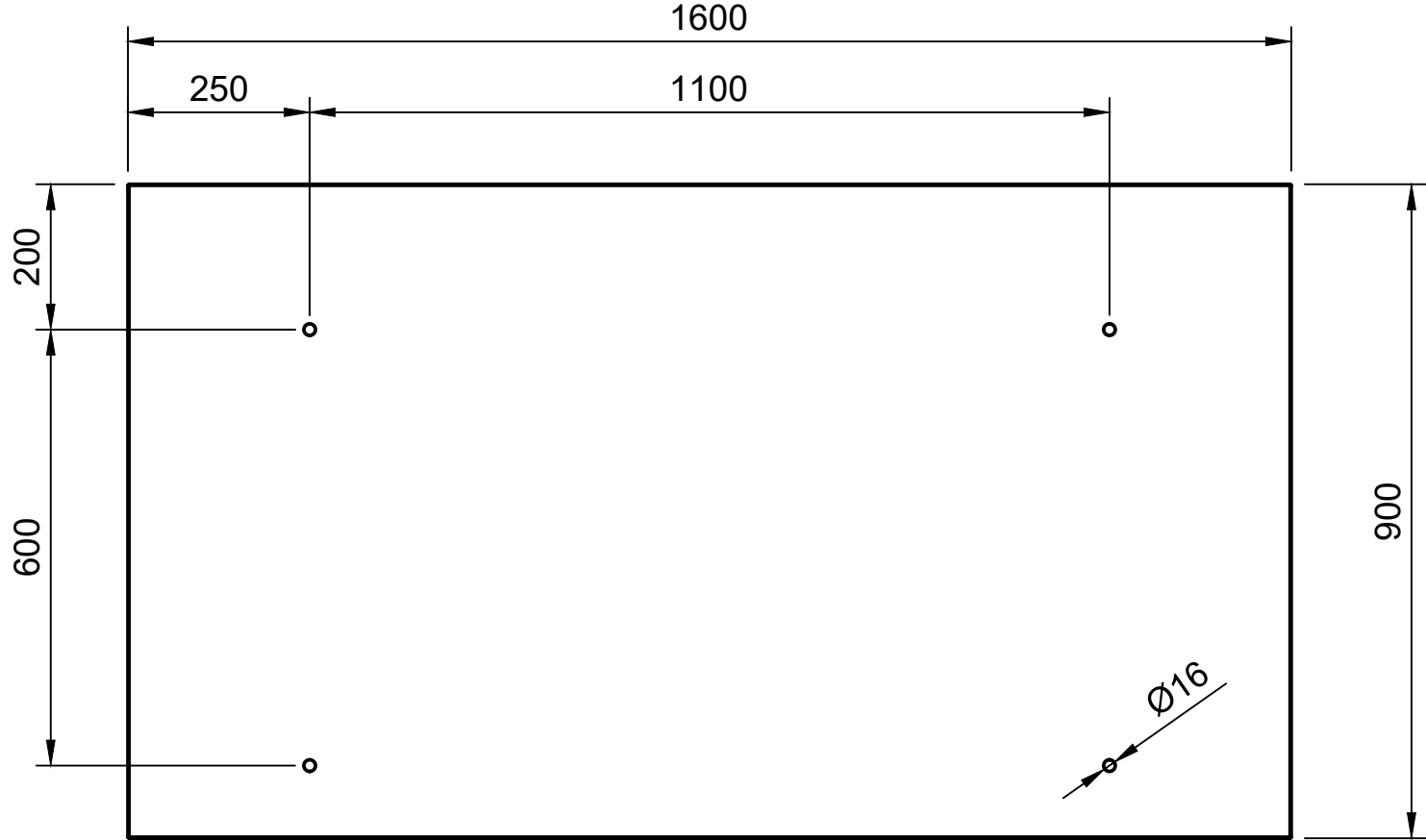
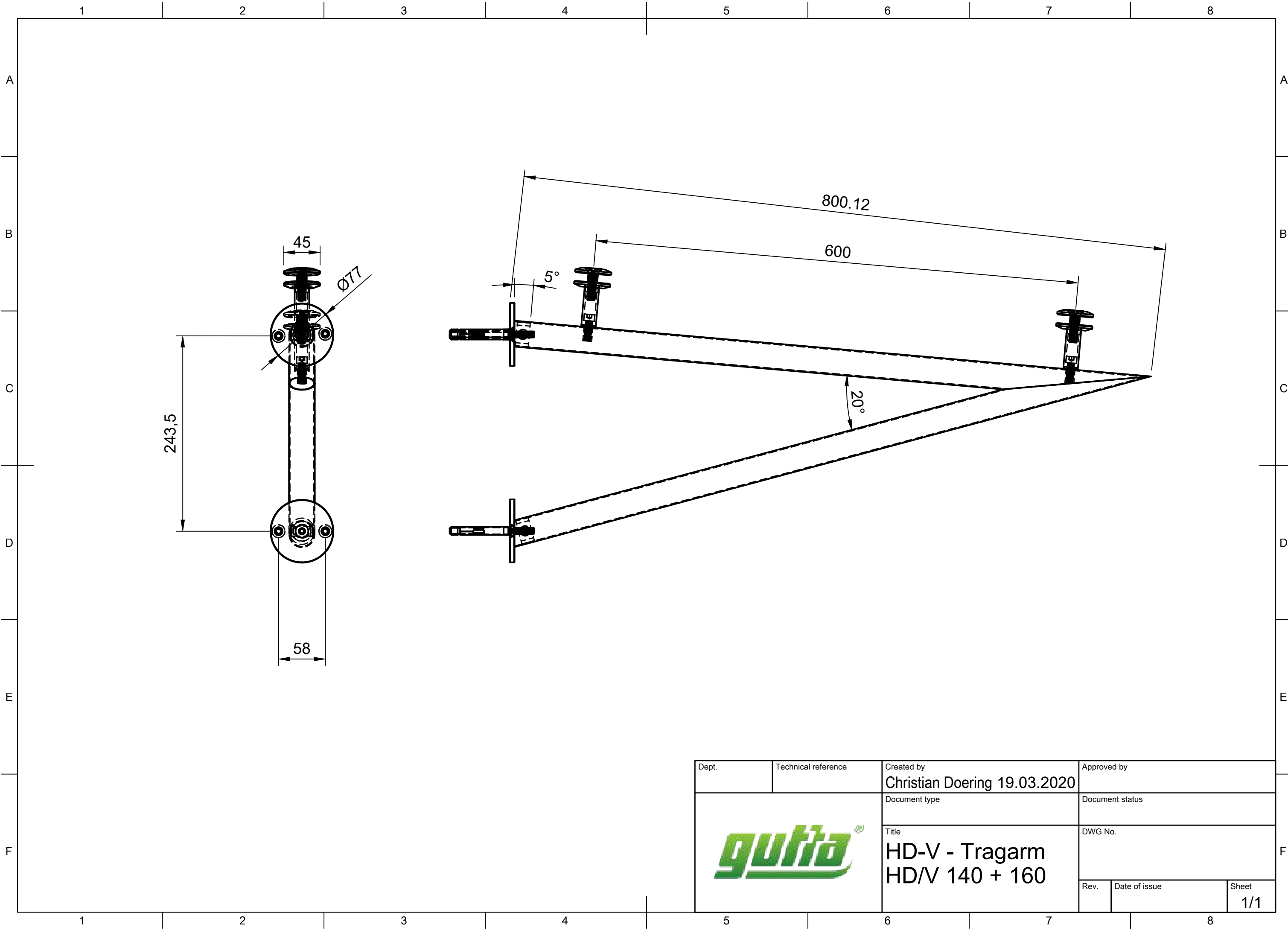



Dept.	Technical reference	Created by Christian Doering 07.09.2018	Approved by		
		Document type	Document status		
		Title HD-V 1600 komplett	DWG No.		
		Rev.	Date of issue	Sheet 1/1	



Dept.	Technical reference	Created by Christian Doering 23.11.2018	Approved by	
		Document type	Document status	
		Title HD-V - Glasabdeckung 1600x900	DWG No.	
		Rev.	Date of issue	Sheet 1/1



Dept.	Technical reference	Created by Christian Doering 19.03.2020	Approved by
		Document type	Document status
		Title HD-V - Tragarm HD/V 140 + 160	
	Rev.	Date of issue	Sheet 1/1